



Bariatric Mortuary Lifter (electric)

Model	Dimensions	Capacity
CEA34	2200 x 720 x 1830	300 Kg

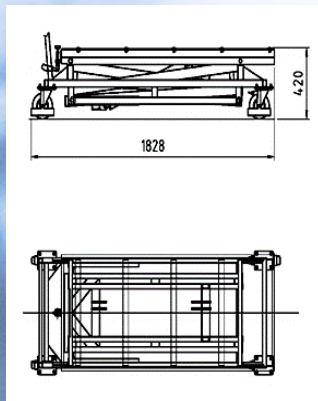
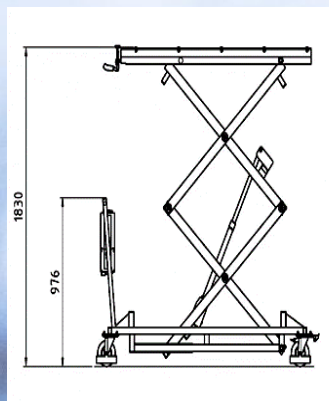
Features:

- Manually Activated System
- Flow Regulator to prevent the load to lower itself to quickly to prevent injury to operator after it has been lifted
- 304 Stainless
- 2 steering wheels / 2 standard
- Lifter is compatible with our 890mm wide tray



Mortuary Lifter

Model	Capacity
CEA 41	225 Kg



*Refer to warranty sheet

**Labcold reserves the right to alter the specifications without prior notice. Labcold is a Division of Mediline Australia Pty Ltd. **

7 Longford Ct Springvale VIC 3171
P: +(61) 03 9562 3355
info@mediline.com.au